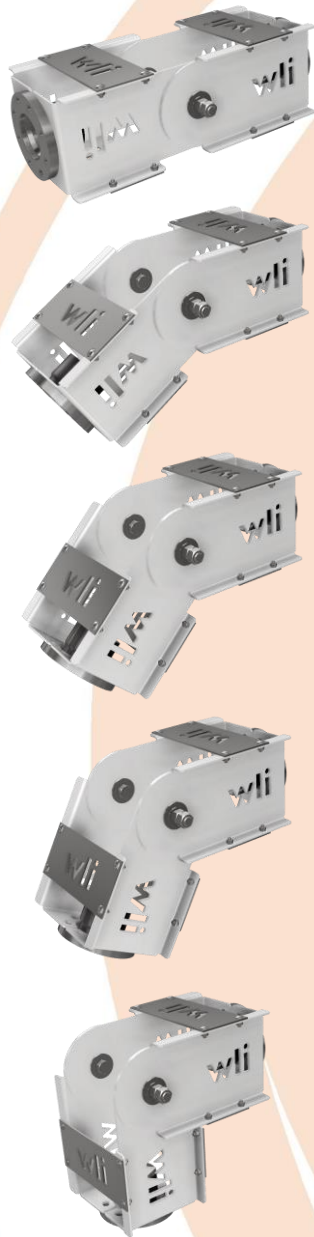




**PURE!** All the advantages of pipe and hose drain systems are combined in the all new PURE heavy-duty roof drain joint.

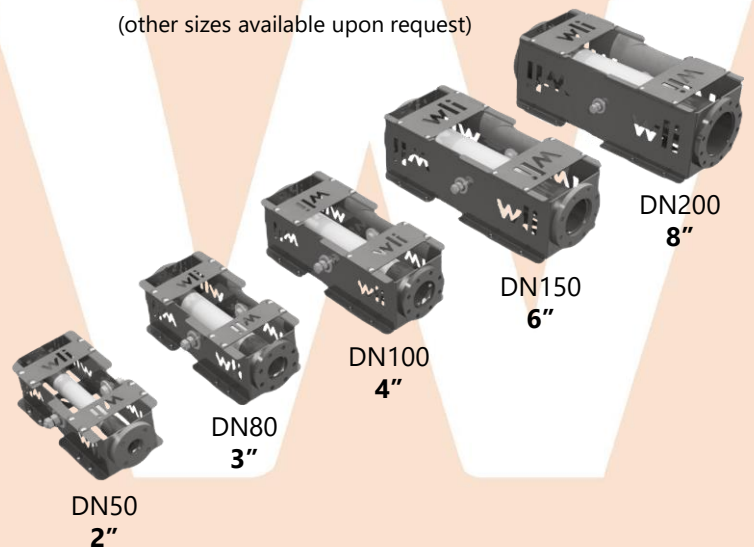
All *PURE* roof drain systems are designed to ensure so-called "positive drainage" at all floating roof levels. This means that regardless of the filling level of the tank, the roof drain systems will always maintain a slope to ensure full drainage and to avoid build-up of residue in the drain system.



**Key Performance Features**

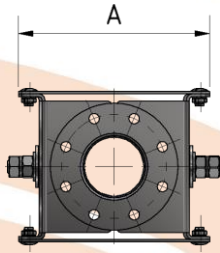
- ✓ Rigid joint design to cope with high filling rates and heavy product turbulence inside the storage tank.
- ✓ Each joint is pressure tested to cope external pressures (2.5 bar).
- ✓ Integrated swivel rotation stop to prevent excessive loads onto the integrated hose.
- ✓ Mounting possibility to any existing roof sump.
- ✓ No dynamic sealing components required.
- ✓ Exceptional chemical resistance to nearly all petrochemicals.
- ✓ Stainless steel 316 Ti (1.4571) body for heavy corrosive environments, such as saltwater in crude oil.
- ✓ Turnkey installation service available from our experienced and qualified field service team.
- ✓ Short installation time

✓ Available in:  
(other sizes available upon request)

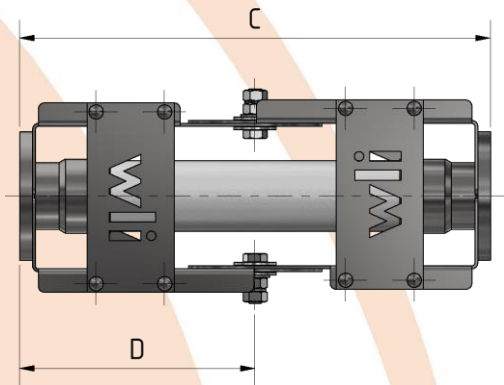




Key Dimensions **PURE** Series



Technical Data					
	PURE-52	PURE-83	PURE-104	PURE-156	PURE-208
<b>A</b>	267	296	329	399	434
<b>B</b>	185	228	260	326	384
<b>C</b>	580	650	804	948	1362
<b>D</b>	290	325	402	474	681
Weight	21,4 kg	31,8 kg	48,0 kg	76,3 kg	126,2 kg
Flange	DN50 / ANSI 2"	DN80 / ANSI 3"	DN100 / ANSI 4"	DN150 / ANSI 6"	DN200 / ANSI 8"
Material	Stainless Steel* 1.4571 (316Ti)				
	Operating Temperature Range: -30°C to 80°C				



All Dimensions in mm

\* Other materials available upon request

Flanged Hose Design

- ✓ Material inside:  
Polypropylene lining with SS 316 (1.4401) inner wire (3 layers).
- ✓ Reinforcements:  
Polypropylene fabrics and films, PTFE fabric and seamless PE tube (5 layers).
- ✓ Material outside:  
Polypropylene cover and SS 316 (1.4401) outer wire (3 layers).

Delivery and Service Scope

The delivery of a *PURE* roof drain systems typically includes the following:

- ✓ Hybrid Roof Drain Swivel Joint, 4 pieces, with pressure test protocol and material certificates.
- ✓ Gaskets and flange connection bolts.
- ✓ Connection chain and shackles to limit the movement between the first two pipe segments connected to the roof sump.
- ✓ Engineering of the entire roof drain systems with flow calculations and drawing to produce the required pipe sections.
- ✓ Detailed installation instructions.
- ✓ Optional: Turnkey installation service available from our experienced and qualified field service team.

Advanced Floating Roof Operation and Effective Emission Control