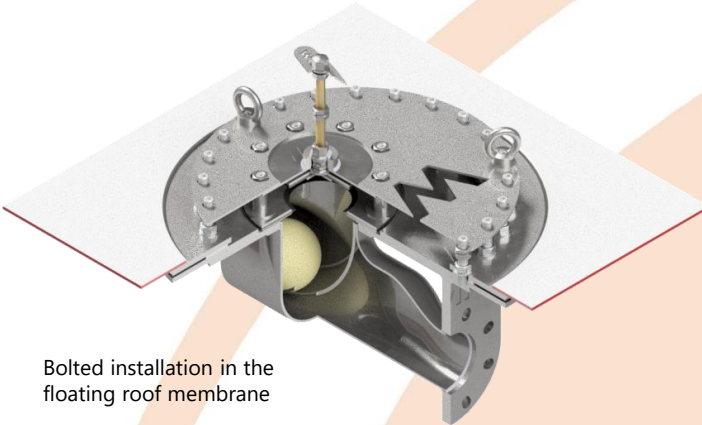




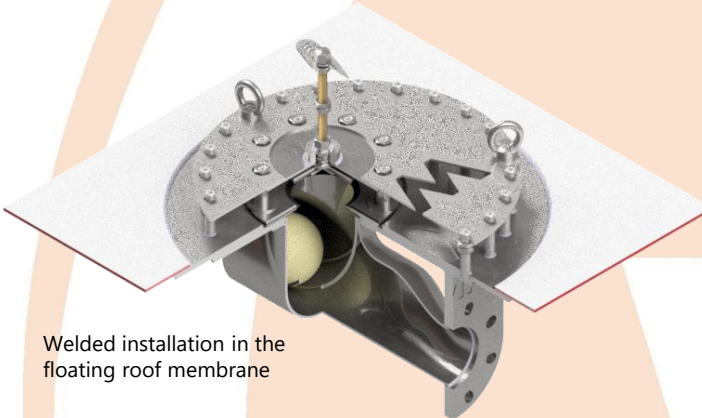
TRUE is a completely new approach to meet the challenges with floating roof drains. The entire TRUE roof sump will drain into the connected flow-off system. Thus no water will remain in the TRUE drain body.

Key Performance Features

- ✓ No pressure needed to close the valve with product back-flow. The rising liquid level will close the valve.
- ✓ No flow restriction for water thru the drain valve.
- ✓ Liquid back-flow will be stopped immediately.
- ✓ High-grade stainless steel body. Zero corrosion and resistant to hydrocarbon and chemicals.
- ✓ Comprehensive documented leak-test procedure prior to dispatch of each TRUE.
- ✓ Adaptable to all existing floating roof designs.
- ✓ Each TRUE can either be welded or bolted into the floating roof.
- ✓ Mounting bolts also serve as stopper for larger objects to avoid clogging of the drain valve.

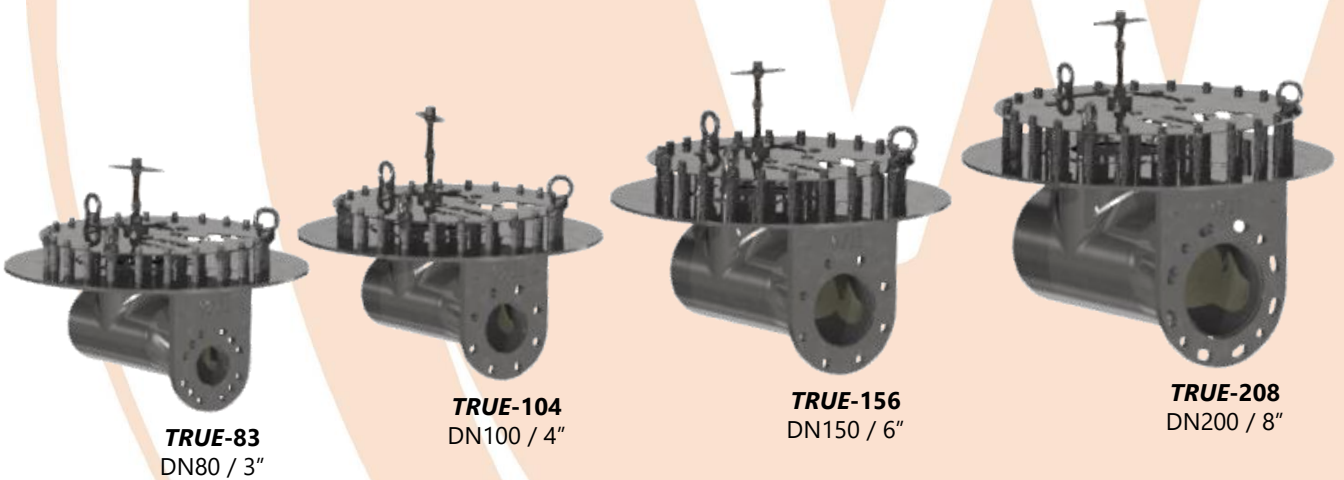


Bolted installation in the floating roof membrane



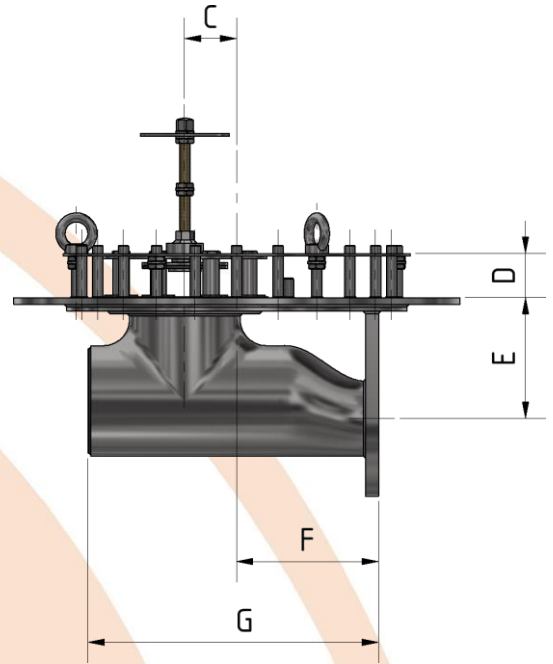
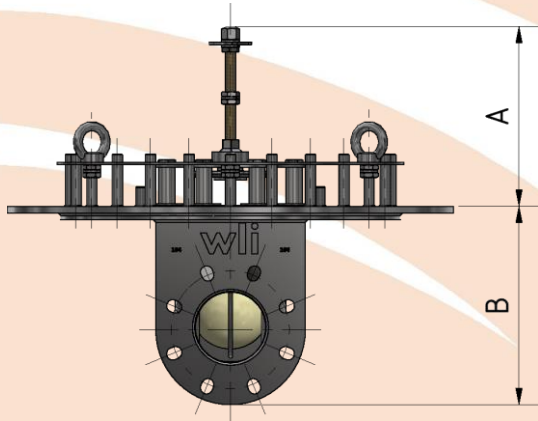
Welded installation in the floating roof membrane

✓ Available in:





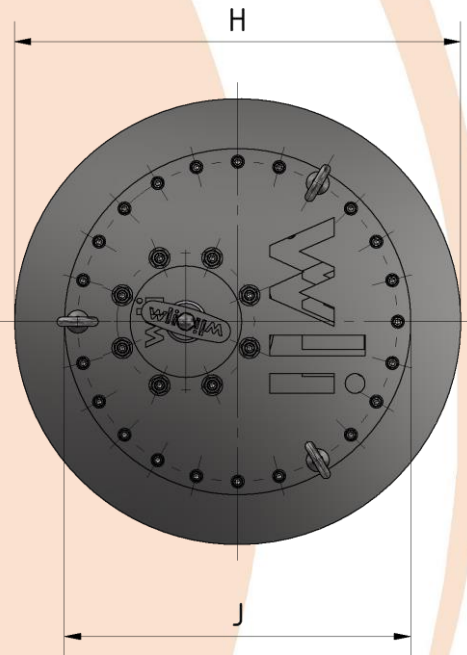
Key Dimensions **TRUE** Series



Technical Data				
	<b>TRUE-83</b>	<b>TRUE-104</b>	<b>TRUE-156</b>	<b>TRUE-208</b>
<b>A</b>	274	274	291	312
<b>B</b>	302	302	367	434
<b>C</b>	79	79	90	108
<b>D</b>	68	68	88	108
<b>E</b>	197	184	225	262
<b>F</b>	216	216	246	292
<b>G</b>	442	442	518	616
<b>H</b>	Ø 680	Ø 680	Ø 760	Ø 830
<b>J</b>	Ø 528	Ø 528	Ø 600	Ø 690
Weight	73,0 kg	73,0 kg	103,7 kg	136,6 kg
Flange	DN80 / ANSI 3"	DN100 / ANSI 4"	DN150 / ANSI 6"	DN200 / ANSI 8"
Material	Stainless Steel* 1.4571 (316Ti)			

All Dimensions in mm

\* other materials available upon request



*Advanced Floating Roof Operation and Effective Emission Control*

**World Link Industry GmbH**  
 5<sup>th</sup> Floor, Center Building  
 Feringastrasse 4  
 85774 Munich, **Germany**  
 ☎ +49.(0)89.12 5033.475  
 ✉ info@wlitank.de

**World Link Industry**  
 3<sup>rd</sup> Floor, Shakti Tower  
 EN-60 Sector V  
 Kolkata 700091, **India**  
 ☎ +91.33.6450 1849  
 ✉ info@wlitank.in

**World Link Industry (Beijing) Co. Ltd.**  
 Room 2803, Building No. 4, China Central Place  
 No. 89 Jianguo Road, Chaoyang District  
 100025 Beijing, **China**  
 ☎ +86.(0)10.6523 8223  
 ✉ info@wlitank.com

[www.wlitank.de](http://www.wlitank.de)

Version. 2020.05.EN